
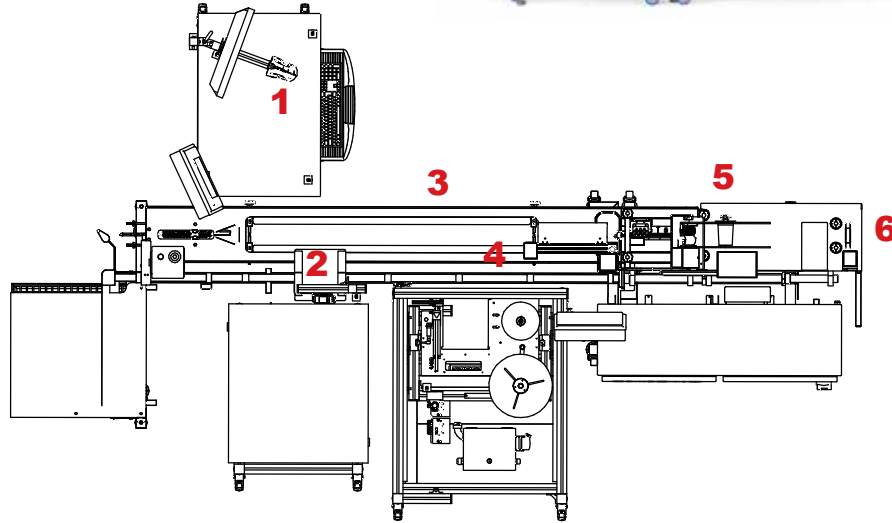


# Autofulfillment<sup>®</sup>



# SPrint<sup>™</sup> System



Product identifier is scanned.



Packslip prints and drops into mailer automatically.



Operator loads merchandise into pre-opened mailer.



Shipping label is printed and applied to the mailer.



Seal flattener ensures a wrinkle-free, secure seal.



Mailer is sealed with 3/8" heat seal and then exits the system.

Autofulfillment<sup>®</sup> is a registered trademark of Accutech Packaging, Inc. SidePouch<sup>®</sup> and SPrint<sup>™</sup> are trademarks of Automated Packaging Systems, Inc. The use of the ® or ™ symbol indicates that Automated Packaging Systems has registered or is otherwise claiming trademark rights in the United States. These marks may also be registered in other countries and common law rights may apply in countries where such rights are recognized.

**Please contact us if you would like to learn more about this system.**

**Michael Keneally**  
508-944-7012  
mkeneally@accutechpkg.com

**Jeff Zahansky**  
203-491-7372  
jzahansky@accutechpkg.com

**Dennis Kovalesky**  
774-219-4902  
dkovalesky@accutechpkg.com

**Iain Emery**  
978-495-1094  
iemery@accutechpkg.com



157 Green St., Foxboro, MA 02035 508-543-3800 accutechpkg.com